

## Nyloc Insert Nut

**Thread Type:** Metric - Fine

**Thread Direction:** Right Hand

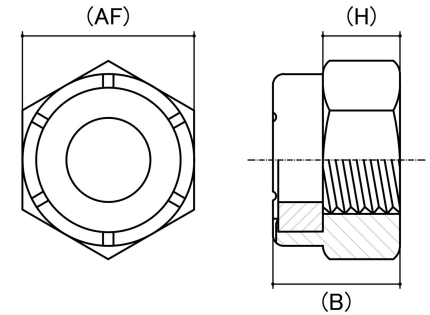
**Material:** Carbon Steel

**Class Grade:** High Tensile Class 8

**Finish:** Zinc Plated

**Corrosion Protection Level:** Moderate

**Standard:** DIN 985



*CAD drawings shown for graphic representation only.\**

Size	Thread Pitch (mm)	Thread Type	Overall Nut Height (B) (mm)		Hex Height (H) (mm)	Across Flats (AF) (mm)		Spanner Size (AF) (mm)	sku (qfind)
			Min	Max	Nom	Min	Max		
M8	1.00	Fine	7.64	8.00	5.50	12.73	13.00	13	41NMF8100
M10	1.25	Fine	9.64	10.00	6.50	16.73	17.00	17	41NMF10125
M10	1.00	Fine	9.64	10.00	6.50	16.73	17.00	17	41NMF10100
M12	1.50	Fine	11.57	12.00	8.00	18.67	19.00	19	41NMF12150
M12	1.25	Fine	11.57	12.00	8.00	18.67	19.00	19	41NMF12125
M14	1.50	Fine	13.30	14.00	9.50	21.67	22.00	22	41NMF14150
M16	1.50	Fine	15.30	16.00	10.50	23.67	24.00	24	41NMF16150
M18	1.50	Fine	17.66	18.50	13.00	26.16	27.00	27	41NMF18150
M20	1.50	Fine	18.67	20.00	14.00	29.16	30.00	30	41NMF20150
M22	1.50	Fine	20.70	22.00	15.00	31.00	32.00	32	41NMF22150
M24	2.00	Fine	23.15	24.00	15.00	35.16	36.00	36	41NMF24200
M30	2.00	Fine	28.70	30.00	19.00	45.00	46.00	46	41NMF30200
M36	3.00	Fine	34.40	36.00	25.00	53.80	55.00	55	41NMF36300

**Disclaimer:**

Dimensional data and technical information was obtained from publically available sources and not acquired through standard agencies. It has been completed and compiled for reference purposes only; where discrepancies are found they are subject to change without notice. Bolt & Nut Australia makes no warranties or representations regarding the accuracy and validity of the compiled information and data. Contact the relevant standard authorities for accurate and detailed information.

\* CAD drawings may not reflect diameter, thread length or overall length.